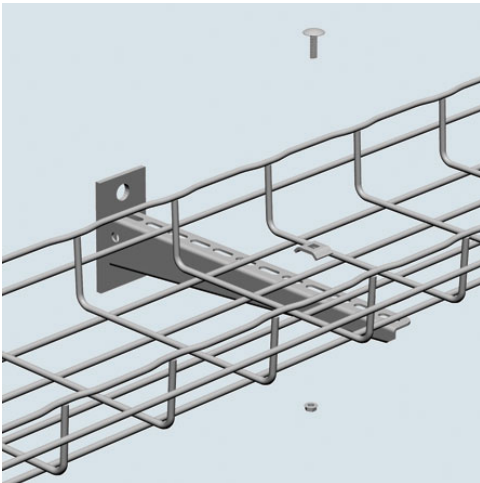




**Cablofil**  
**REINFORCED WALL BRACKET-HOT DIPPED (2D,,2W,,16L) [557253]**  
Part No. 557253



Cablofil Wiremesh Cable Tray concept based upon performance, safety and economy; three qualities which make Cablofil Wiremesh Cable Tray system preferred by installers. Cablofil adapts to the most complex configurations, and its structure gives maximum strength for minimum weight. The ease of creating fittings, carried out on site, as well as the wide range of unique and universal accessories gives complete freedom in routing combined with exceptionally fast installation.

## Features & Benefits

Hot dipped galvanized after fabricated for corrosion resistance.CE25 and EZBN 1/4 are sold separately.

## Specifications

### General Info

Product Line	Cablofil	Finish	Hot Dipped Galvanized
UPC Number	800388003057	Country Of Origin	United States

### Dimensions

Product Weight US	1.479 lb
-------------------	----------

### Additional Information

RoHS Conformant	Yes
-----------------	-----