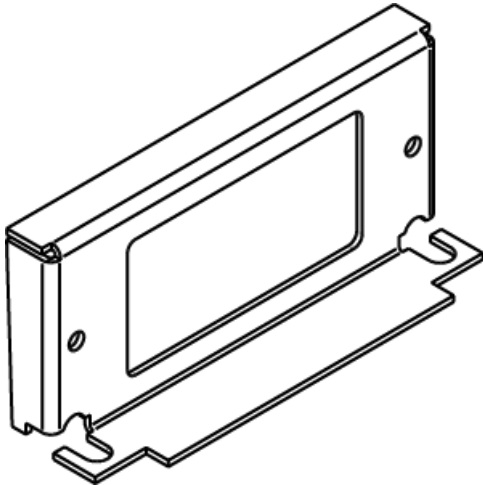




Wiremold
RFB4-CI-1 Series Internal GFI Bracket
Part No. CIHT-GFI



Accepts standard GFCI or Decorator Style Receptacles, Communication or Audio/Video Devices. NOTE: For use with RFB4-CI-1 only.

Features & Benefits

Accepts standard GFCI or Decorator Style Receptacles, Communication or Audio/Video Devices. NOTE: For use with RFB4-CI-1 only.

Specifications

General Info

Product Line	Wiremold	UPC Number	786564320555
Country Of Origin	United States	Construction	Unassembled
Application Sector	Commercial	Standard	cULus Listed Metallic Outlet Boxes: File E2961 Guide QCIT Meets Article 314.27(C) of NEC.
Type	Floor Box		

Listing Agencies / 3rd Party Agencies

cULus ListingNumber	E2961	cULus Listed	Yes
---------------------	-------	--------------	-----

Buy American Act Compliance

NAFTA	Yes
-------	-----

Additional Information

RoHS Conformant	Yes
-----------------	-----