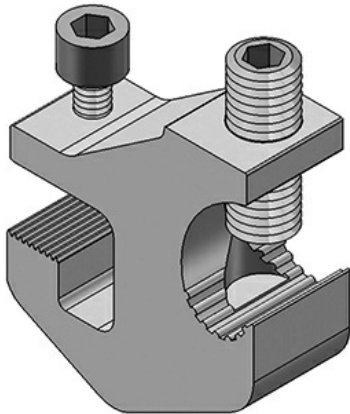




Cablofil  
Cable Tray Grounding Clamp (TRA)  
Part No. P087800



The aluminum I-beam design of ITray is perfect for industrial installations with large diameter cables in long span situations, minimizing total tray width and creating a smooth transition between straight sections and fittings. A structural offset in the sidewall creates strong, mid-span splices that need fewer supports. Each splice snaps in place and stays without holding. Additionally, only four bolts are needed for each splice reducing hardware needs by 50%. These features allow Itray to be installed up to 30% faster than standard tray.

## Features & Benefits

Steel construction

## Specifications

### General Info

Product Line	Cablofil	Finish	AL
UPC Number	800388247307	Country Of Origin	Mexico
Application Sector	Commercial/Industrial	Standard	UL Classified
Type	Cable Tray		

### Dimensions

Product Width US	0.875 in	Product Weight US	0.322 lb
Product Volume US	0.003 cu ft	Product Depth US	2.248 in
Product Height US	2.461 in		

### Buy American Act Compliance

BAA	Yes
-----	-----