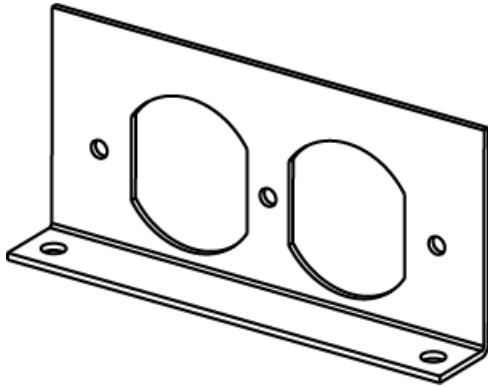




Wiremold
RFB2 Series Internal Duplex Receptacle Bracket
Part No. RFB2DP



Accepts standard 15A and 20A duplex receptacles. NOTE: For RFB2 Series Floor Boxes only.

Features & Benefits

Accepts standard 15A and 20A duplex receptacles. NOTE: For RFB2 Series Floor Boxes only.

Specifications

General Info

| | | | |
|--------------------|---------------|--------------|---|
| Product Line | Wiremold | UPC Number | 786564093398 |
| Country Of Origin | United States | Construction | Unassembled |
| Application Sector | Commercial | Standard | cULus Listed Metallic Outlet Boxes: File E2961 Guide QCIT Meets Article 314.27(C) of NEC. |
| Type | Floor Box | | |

Dimensions

| | | | |
|-------------------|----------|------------------|--------|
| Product Width US | 2.566 in | Product Depth US | 0.1 in |
| Product Length US | 4.2 in | | |

Listing Agencies / 3rd Party Agencies

| | | | |
|---------------------|-------|--------------|-----|
| cULus ListingNumber | E2961 | cULus Listed | Yes |
|---------------------|-------|--------------|-----|

Additional Information

| | |
|-----------------|-----|
| RoHS Conformant | Yes |
|-----------------|-----|